

PRODUCT INFORMATION PACKET

marathon[®]
Motors

Model No: 5KC46JN0076U
Catalog No: C1292
5KC46JN0076U 1/2,1725/1425,TEFC,56NY,1/60/115/208-230
Auger Drive



Regal and Marathon are trademarks of Regal Beloit Corporation or one of its affiliated companies.
©2018 Regal Beloit Corporation, All Rights Reserved. MC017097E

REGAL[®]

**Product Information Packet: Model No: 5KC46JN0076U, Catalog No:C1292 5KC46JN0076U
1/2,1725/1425,TEFC,56NY,1/60/115/208-230**

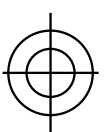
Nameplate Specifications

Output HP	1/2 Hp	Output KW	0.37 kW
Frequency	60 Hz	Voltage	115/208-230 V
Current	8.4,4.0-4.2 A	Speed	1725/1425 rpm
Service Factor	1.25	Phase	1
Efficiency	63.2 %	Duty	Continuous
Insulation Class	B	KVA Code	M
Frame	56NY	Enclosure	Totally Enclosed Fan Cooled
Overload Protector	MAN	Ambient Temperature	40 °C
Drive End Bearing Size	6203	Opp Drive End Bearing Size	6203
UL	Recognized	CSA	Yes
CE	N		

Technical Specifications

Electrical Type	Capacitor Start Induction Run	Starting Method	SM
Poles	4	Rotation	Counterclockwise/Clockwise
Mounting	Round	Motor Orientation	ANY
Drive End Bearing	BALL	Opp Drive End Bearing	BALL
Frame Material	Rolled Steel	Overall Length	12 in
Frame Length	6.55 in	Shaft Diameter	0.5 in
Shaft Extension	1.81 in		
Outline Drawing	52A107766P1	Connection Diagram	52A105383BA

This is an uncontrolled document once printed or downloaded and is subject to change without notice. Date Created: 10/08/2018



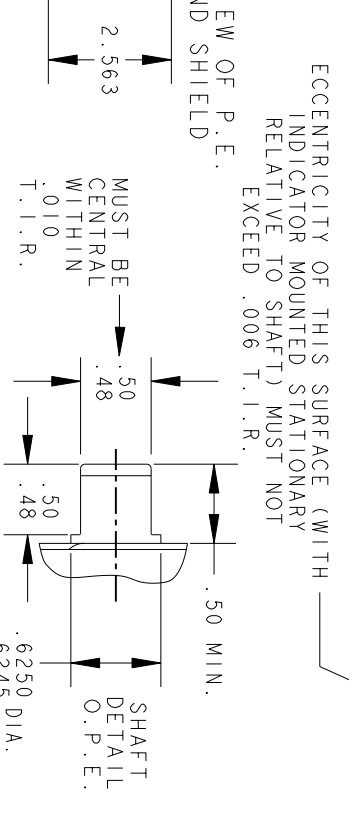
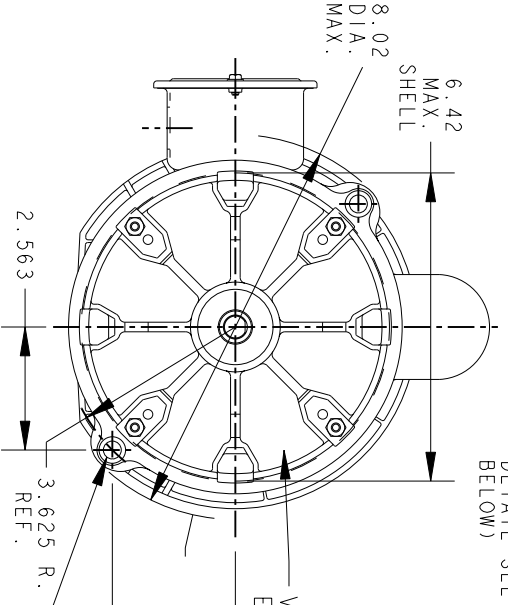
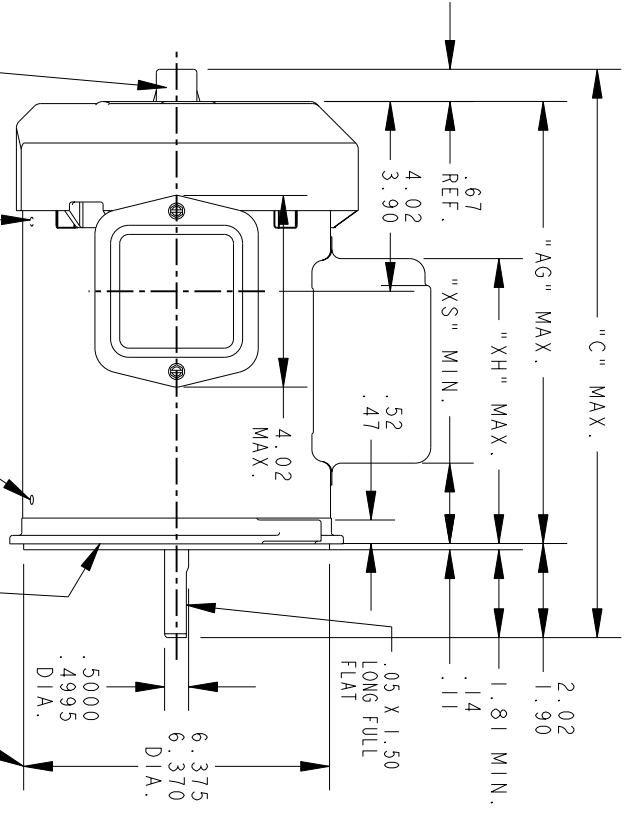
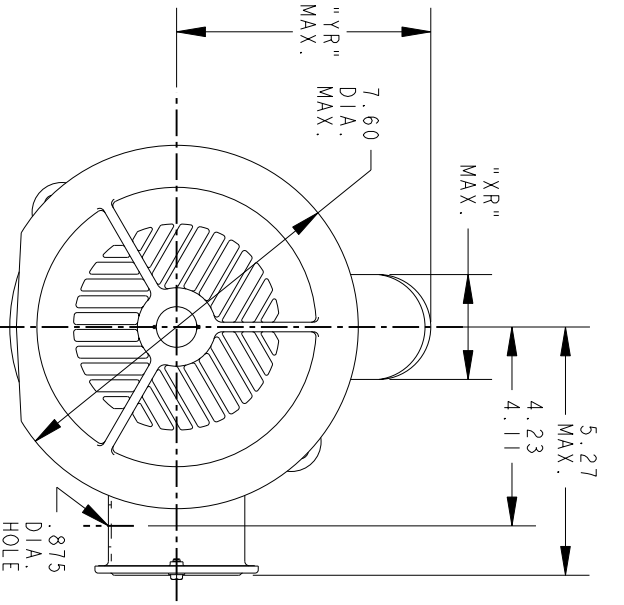
THIRD ANGLE PROJECTION

REVISIONS

REV.	DESCRIPTION	DATE	APPROVED
5	CHG TO RBC FORMAT PER ISO5-1777	03/02/06	SUDHA

REV 5
DRAWING NO. 52A107766

SIZE A



ALL DIMENSIONS ARE IN INCHES

ECCENTRICITY OF THIS SURFACE (WITH INDICATOR MOUNTED STATIONARY RELATIVE TO SHAFT) MUST NOT EXCEED .006 T.I.R.

FACE RUNOUT (WITH INDICATOR MOUNTED STATIONARY RELATIVE TO SHAFT) MUST NOT EXCEED .006 T.I.R.

SHAFT RUNOUT (WITH INDICATOR MOUNTED STATIONARY RELATIVE TO SHAFT) MUST NOT EXCEED .006 T.I.R.

VIEW OF P.E. END SHIELD

MUST BE .50 CENTRAL WITHIN .010 T.I.R.

.380/.340 DIA. (2 HOLES) THESE HOLES FIT A GAGE HAVING A RABBIT 6.3755 DIA. AND 2 PINS .3309 DIA. LOCATED ON THE BASIC HOLE POSITIONS.

3	2	1	P
KC	KC	KC	TYPE
49	46	46	GE
56NY	56NY	56NY	SIZE
13.13	12.00	12.00	NEMA
10.42	9.29	9.29	"C"
7.21	6.08	6.08	"AG"
5.44	4.72	5.34	"XH"
2.40	1.60	2.22	"YR"
1.46	1.54	1.54	"XR"
			"XS"
			MIN. SHELL



REGAL-BELOIT CORPORATION

TITLE
OUTLINE

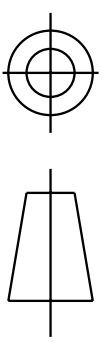
SPECIAL PURPOSE MOTOR TEFC - BALL BEARING 2 LUG FLANGE FME - 5KC46JN0076U

SIGNATURES		DATE
MODEL	M.D. PAPER	11/20/91
DETAIL		
CHECKED		
ENGRG		
MFG		
QUALITY		
ISSUED	M.D. PAPER	03/16/98
MATERIAL	SOLID MODEL: 52A107766	

SIZE	SCALE	REF. No.	REV
A	0.250		5

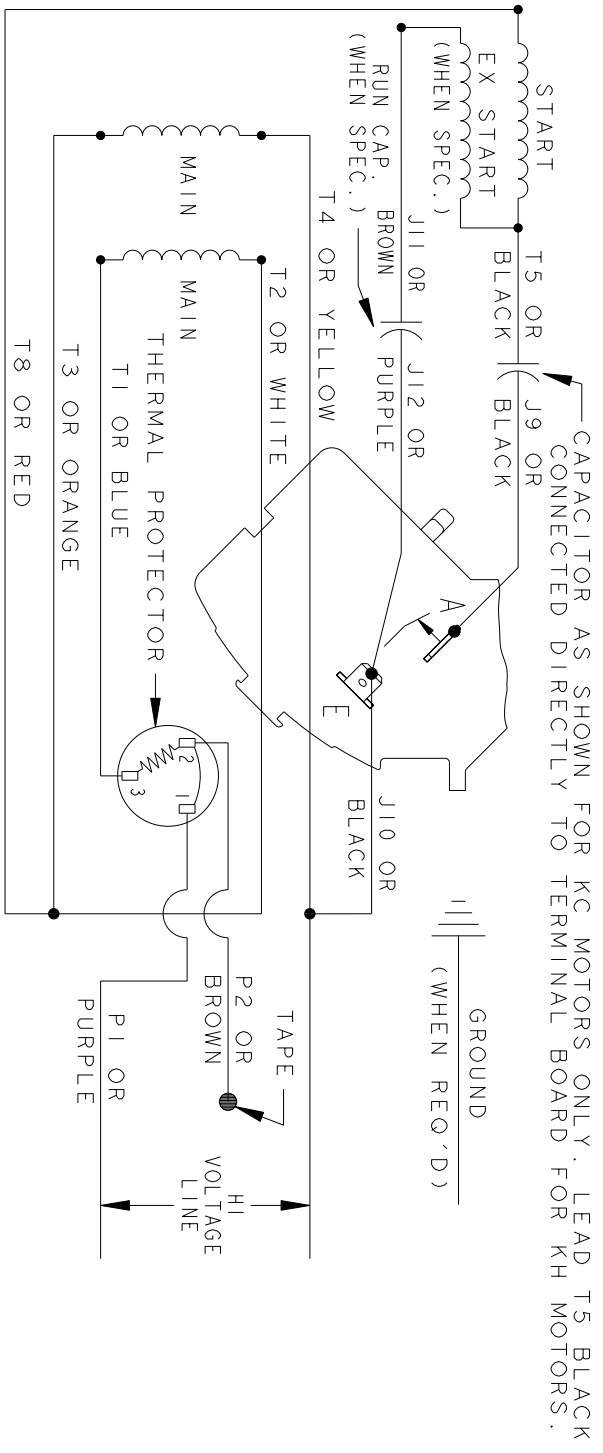
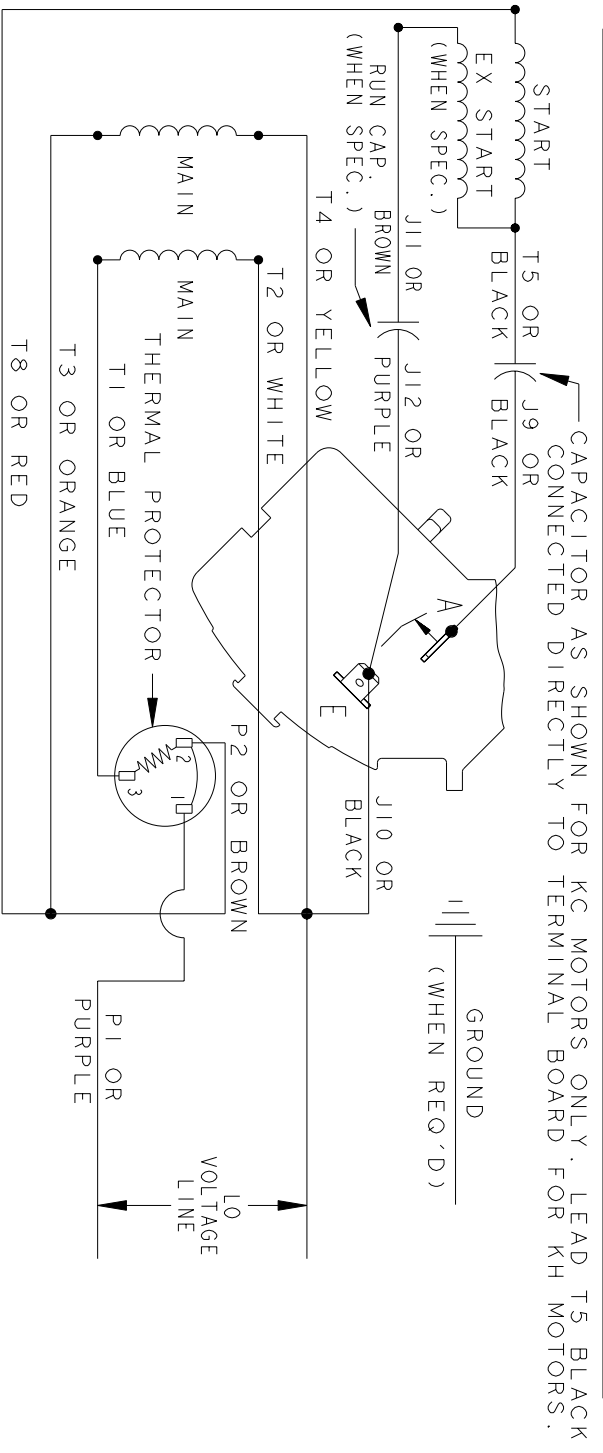
52A107766

SHEET 1 of 1



REV.	DESCRIPTION	DATE	APPROVED
7	UPDATED FORMAT	01/05/06	MAM

CCW/CW ROTATION - DUAL VOLTAGE
TYPE KC, KH OR KCR - WITH THERMAL PROTECTOR



NOTE#1 - TO REVERSE ROTATION, INTERCHANGE T8 RED AND J10 BLACK LEADS.
NOTE#2 - WHEN MORE THAN ONE CAPACITOR IS USED, CONNECT IN PARALLEL.
NOTE#3 - 115D958ABP5 - HIGH CURRENT CONTACTS.

SWITCH (C) - 115D958ABP5, SWITCH (H) - 115D958AA (USE 115D958DA FOR EP)

REF. DIAG. - 113A327, 119A9352 & 52A102102 CONNECTION LABEL - 52X332912

SIGNATURES		DATE	TITLE	
MODEL	M.D.P.	06/29/87	<p>REGAL-BELOIT CORPORATION</p> <p>CONNECTION DIAGRAM</p>	
DETAIL				
CHECKED				
ENGRG				
FOR ADDITIONAL INFO REFER TO:			<p>FME: 30 FRAME SWITCH REDESIGN</p>	
APPLIED PRACTICES	QUALITY		SIZE DRAWING	<p>52A105383BA</p>
DIMENSIONS ARE IN INCHES	ISSUED	M.D.P.	SCALE: 1.000 REF. No.:	
MATERIAL	SOLID MODEL: 52A105383BA	12/11/97		REV 7